





SECEURODOOR INDUSTRIAL DOOR CHAIN OPERATED MANUAL - REVEAL FIX - 75 77

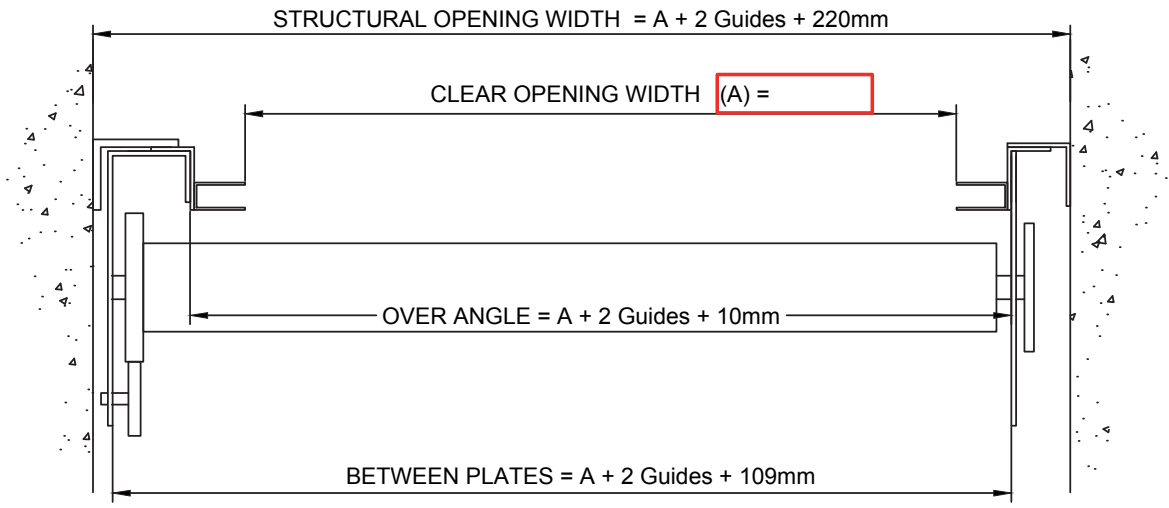
THIS DRAWING MUST BE RETURNED WITH AN ORDER FORM

OUTSET ANGLE 

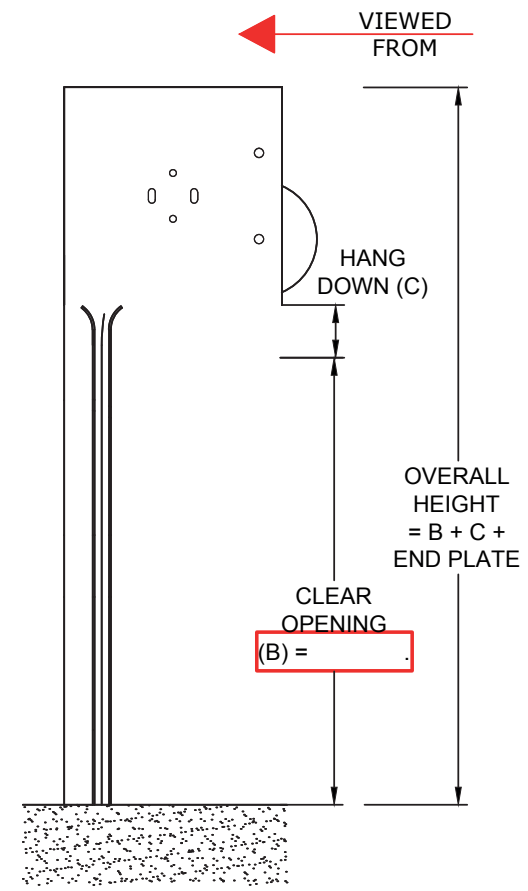
HANDING: LH RH

END PLATE: 400

| | | | |
|---|---|----|-----|
| GUIDE SIZE - 20g/22g (75x50 Guide Angle) (Straight) = G |  | 65 | 100 |
| GUIDE SIZE - 20g/22g (75x50 Guide Angle) (Wind) = G |  | 65 | 100 |
| GUIDE SIZE - 77mm Insulated Slat (75x50 Guide Angle) = G |  | 95 | |



LEFT HAND OPERATION SHOWN



STRUCTURE MUST BE CAPABLE OF CARRYING SHUTTER WEIGHT APPROX 25Kg / Sqm

| | | | | | | | |
|--------------|-----------------|------------|----------|----------|-----------|------|------|
| NOT TO SCALE | | QUANTITY: | COMPANY: | JOB REF: | Hang Down | 400 | |
| DRAWN BY: | PPC | | | | 20G | 50mm | 2-5m |
| DATE: | 28/01/16 | | | | 22G | 50mm | 2-5m |
| REV: | 3 | SIGNATURE: | DATE: | 77 | 80mm | 2-4m | |
| DWG NO.: | INDUS006 | | | | | | |